

(1)	(2)	(3)	(4)	(5)	(6)	(7)	(8)	(9)	(10)				
SMR Code	Federal Stock Number	DESCRIPTION	Unit	QTY	of	meas	inc. allowance	allowance	alw	maint	per	alw	
											100	per (a)	
											equip	Figure (b)	
											cnt-	equip No.	
												No.	
		Reference Number & Mfr. Co Usable On Code		1-20	21-5	(51-10)	(1-20	21-5	(51-10)	(gcy			
1601-SPRINGS-CONTINUED													
X2-O		BOLT:SPRING LEAF ASSEMBLY A 10883157 (19207)	EA	2	*	*	*	*	*	*	*	123	18
P-O	2510-177-78	CLIP:SPRING LEAF INNER 10883160 (19207)	EA	2	*	*	*	*	*	*	*	123	19
P-O	5305-069-55	SCREW,CAP,HEXAGON: MS90725-99 (96906)	A	EA	12	*	*	*	*	*	*	123	20
P-O	2510-700-18	SPACER:SPRING LEAF 7001851 (19207)	A	EA	12	*	*	*	*	*	*	123	21
X2-O		CLIP: SPRING LEAF CENTER 10883161 (19207)	A	EA	2	*	*	*	*	*	*	123	22
X1		RIVET:SPRING LEAF CLIP 104127 (21450)		12								123	23
P-O	2510-177-79	CLIP:SPRING LEAF CENTER 10883159 (19207)	A	EA	2	*	*	*	*	*	*	123	24
P-O	5310-891-17	NUT,SELF-LOCKING: MS5691-25 (96906)	A	EA	12	*	*	*	*	*	*	123	25
P-O	3120-770-29	BUSHING:SPRING MOUNTING 7702941 (19207)	A	EA	4	*	*	*	*	*	*	123	26
P-O	2510-740-93	SPRING,LEAF:NO.2 7409339 (19207)	A(EXCEPT LA,BE IA,MA BE,IA	EA	2	*	*	*	*	*	*	123	27
P-O	2510-741-11	SPRING,LEAF:NO.2 7411112 (19207)	EA	2	*	*	*	*	*	*	*	123	27
P-O	2510-740-93	SPRING,LEAF:NO.1 7409338 (19207)	A(EXCEPT IA,BE LA,MA BE,IA LA,MA	EA	2	*	*	*	*	*	*	123	28
P-O	2510-741-11	SPRING,LEAF:NO.1 7411111 (19207)	EA	2	*	*	*	*	*	*	*	123	28
P-O	5310-732-05	NUT: MS51968-14 (96906)	A	EA	2	*	*	*	*	*	*	123	29
P-O	2510-740-93	HANGER:FRONT SPRING 7409337 (19207)	A	EA	4	*	*	*	*	*	*	123	30
P-O	2540-740-93	SEAT: 7409343 (19207)	A	EA	2	*	*	*	*	*	*	123	31
P-O	5305-716-81	SCREW,CAP,HEXAGON: MS90726-117 (96906)	A	EA	2	*	*	*	*	*	*	123	32
P-O	5306-740-93	BOLT,U:SPRING SADDLE 7409347 (19207)	A(EXCEPT HA,JA EA BD,BE,IA,LA,HA	4	*	*	*	*	*	*	*	124	1



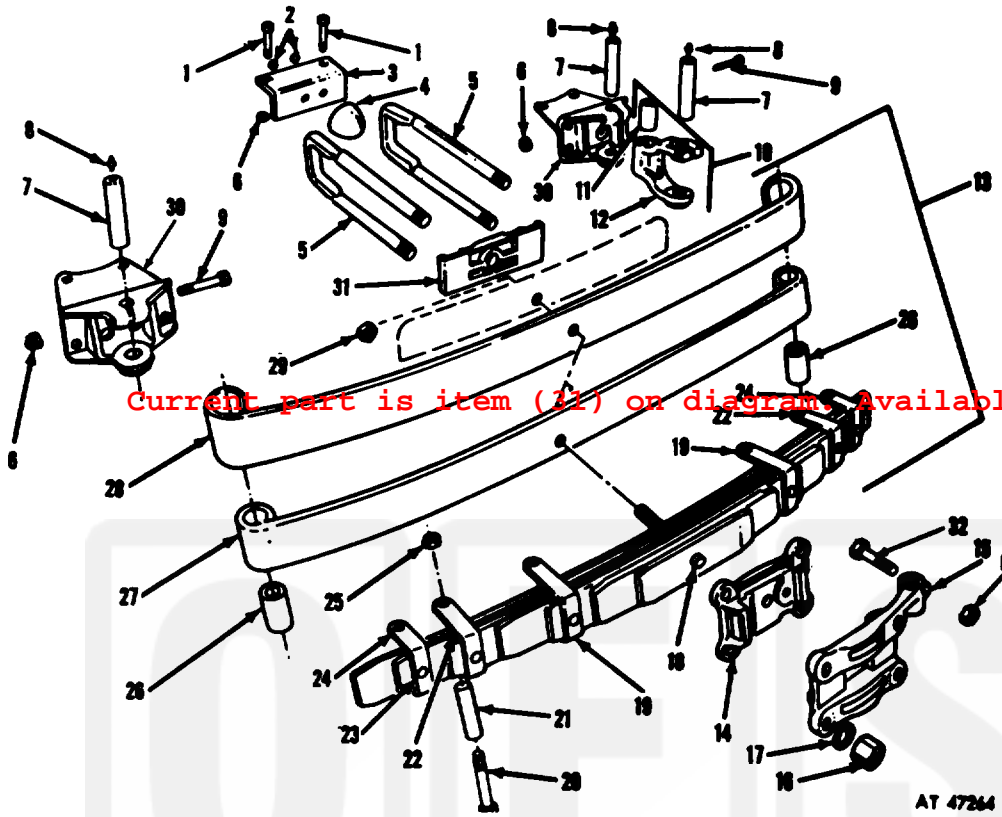


Figure 123. Front spring assembly and related parts.

Oshkosh  
Equipment Sales